

# System connection - PLC-V8/FLK14/OUT

2295554

<https://www.phoenixcontact.com/ro/produse/2295554>

Vă rugăm să țineți cont de faptul că datele afișate în acest document PDF au fost generate din catalogul nostru online. Datele complete sunt disponibile în documentația pentru utilizator. În cazul descărcărilor, se aplică Termenii și condițiile generale de utilizare ale companiei noastre.



V8 adapter for 8 x PLC-INTERFACE (6.2 mm), controller: PLC system cabling of output cards, connection 1: Screw connection 1x, connection 2: IDC/FLK pin strip 1x 14-position, connection 3: Plug-in connection (Can be snapped onto 8x PLC-INTERFACE terminals), number of channels: 8, control logic: plusschaltend

# System connection - PLC-V8/FLK14/OUT



2295554

<https://www.phoenixcontact.com/ro/produse/2295554>

## Date comerciale

Cod comandă	2295554
Unitate de ambalare	1 Bucată
Cantitate minimă pentru comandă	1 Bucată
Cod produs	CK21C1
Pagina de catalog	Pagina 427 (C-5-2019)
GTIN	4017918189143
Greutate pe bucată (inclusiv ambalajul)	111,0 GRM
Greutate pe bucată (fără ambalaj)	109,0 GRM
Cod tarifar vamal	85366990
<input type="checkbox"/> ara de origine	DE

# System connection - PLC-V8/FLK14/OUT



2295554

<https://www.phoenixcontact.com/ro/produse/2295554>

## Date tehnic

### Product properties

Number of positions	14
No. of channels	8

### Insulation characteristics

Overvoltage category	II
Pollution degree	2

### Electrical properties

No. of channels	8
Max. permissible operating voltage	30 V DC
Nominal voltage $U_N$	24 V DC
Max. current carrying capacity per branch	1 A (per signal path)
Max. total current of voltage supply	3 A
Rated insulation voltage	50 V
Rated surge voltage	0.5 kV (Functional insulation)

### Supported controller SIEMENS S7-1500

Suitable I/O card	6ES7522-1BH00-0AB0
	6ES7522-1BH01-0AB0
	6ES7522-1BL00-0AB0
	6ES7522-1BL01-0AB0

### Supported controller SIEMENS S7-400

Suitable I/O card	6ES7422-1BL00-0AA0
	6ES7422-7BL00-0AB0

### Supported controller ALLEN-BRADLEY ControlLogix

Suitable I/O card	1756-OB32
	1756-OB16E

### Supported controller ALLEN-BRADLEY PLC 5

Suitable I/O card	1771 OBN
-------------------	----------

### Supported controller ALLEN-BRADLEY SLC 500

Suitable I/O card	1746 OB 32
-------------------	------------

### Supported controller HONEYWELL Experion PKS C200

Suitable I/O card	TC-ODD 321
-------------------	------------

### Supported controller MITSUBISHI MELSEC Q

Suitable I/O card	QY81P
	QY82P

### Supported controller SIEMENS S7-300 / ET 200 M

# System connection - PLC-V8/FLK14/OUT



2295554

<https://www.phoenixcontact.com/ro/produse/2295554>

Suitable I/O card	CPU 313C-2DP
	CPU 314C-2DP
	CPU 314C-2PtP
	6ES7322-1BH01-0AA0
	6ES7322-1BL00-0AA0
	6ES7323-1BH01-0AA0
	6ES7323-1BL00-0AA0
	CPU 313C
	CPU 313C-2PtP

## Supported controller ABB S800 I/O

Suitable I/O card	DO810
	DO840

## Supported controller Emerson DeltaV

Suitable I/O card	VE4002S1T1B3
	VE4002S1T2B3
	VE4002S1T2B3 Series 2
	VE4002S1T2B6

## Supported controller GE-FANUC RX3i

Suitable I/O card	IC694MDL754
-------------------	-------------

## Supported controller MITSUBISHI MELSEC L

Suitable I/O card	LY41PT1P
	LY42PT1P

## Connection data

### Supply

Connection in acc. with standard	IEC / EN
Connection method	Screw connection
Stripping length	8 mm
Screw thread	M3
Number of connections	1
Conductor cross section solid	0.2 mm <sup>2</sup> ... 4 mm <sup>2</sup>
Conductor cross section flexible	0.2 mm <sup>2</sup> ... 2.5 mm <sup>2</sup>
Conductor cross section AWG	24 ... 12

### Controller level

Connection method	IDC/FLK pin strip
Number of connections	1
Number of positions	14
Pitch	2.54 mm

### Field level

Connection method	Plug-in connection
-------------------	--------------------

# System connection - PLC-V8/FLK14/OUT



2295554

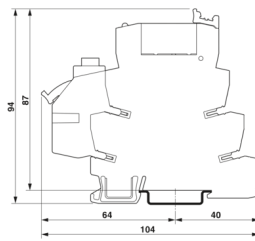
<https://www.phoenixcontact.com/ro/produse/2295554>

Note	Can be snapped onto 8x PLC-INTERFACE terminals
------	--

## LED signaling

Status display	Green LED
Status display present	yes

## Dimensions

Desen dimensional	
Width	50 mm
Height	39 mm
Depth	56 mm

## Material specifications

Color	gray
Housing insulation material	Polyamide 6.6 green

## Environmental and real-life conditions

### Ambient conditions

Degree of protection	IP20
Ambient temperature (operation)	-40 °C ... 70 °C
Ambient temperature (storage/transport)	-40 °C ... 70 °C

## Approval data

### UL, USA / Canada

Identification	Class I, Div. 2, Groups A, B, C, D T4
----------------	---------------------------------------

### UL, Canada

Identification	Class I, Zone 2, Ex nA IIC Gc T4 X
----------------	------------------------------------

### UL, USA

Identification	Class I, Zone 2, AEx nA IIC T4
----------------	--------------------------------

### Shipbuilding approval

Certificate	TAE0000196
-------------	------------

### DNV GL data

Temperature	D
Humidity	A

# System connection - PLC-V8/FLK14/OUT



2295554

<https://www.phoenixcontact.com/ro/produse/2295554>

Vibration	C
Enclosure	Required protection according to the Rules shall be provided upon installation on board

## Standards and regulations

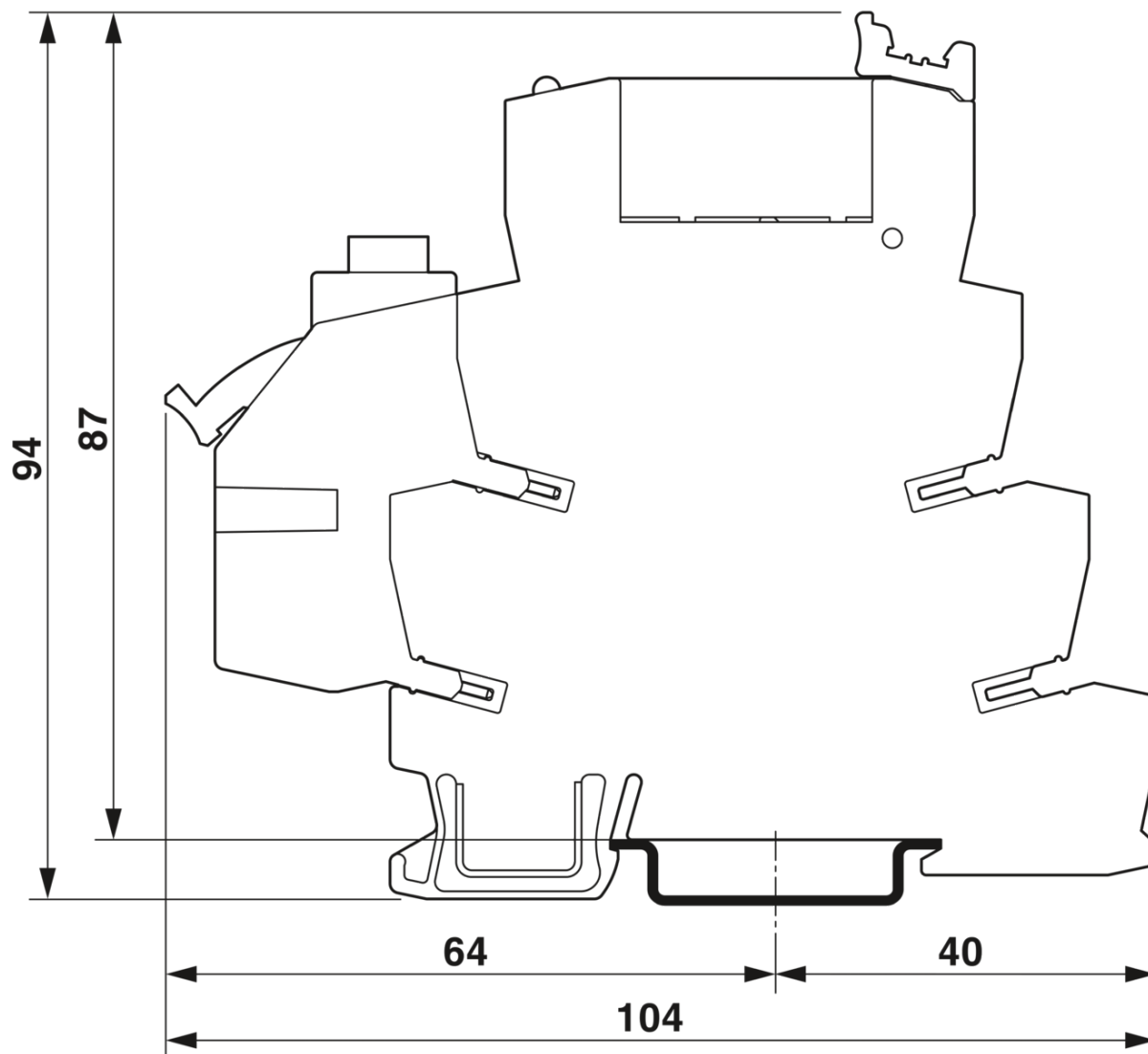
Standards/regulations	IEC 60664
	DIN EN 50178

## Mounting

Mounting position	any
-------------------	-----

Desene

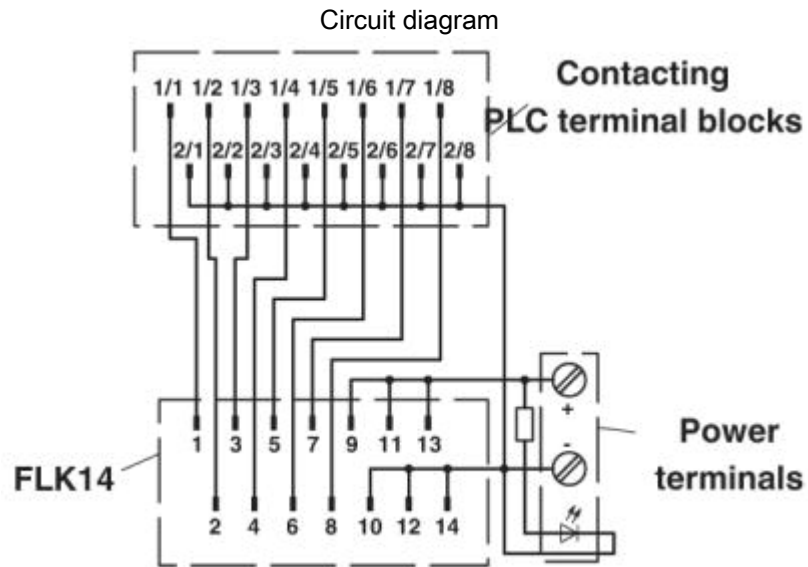
Dimensional drawing



# System connection - PLC-V8/FLK14/OUT

2295554

<https://www.phoenixcontact.com/ro/produse/2295554>



PLC-V8/FLK14/OUT connection scheme

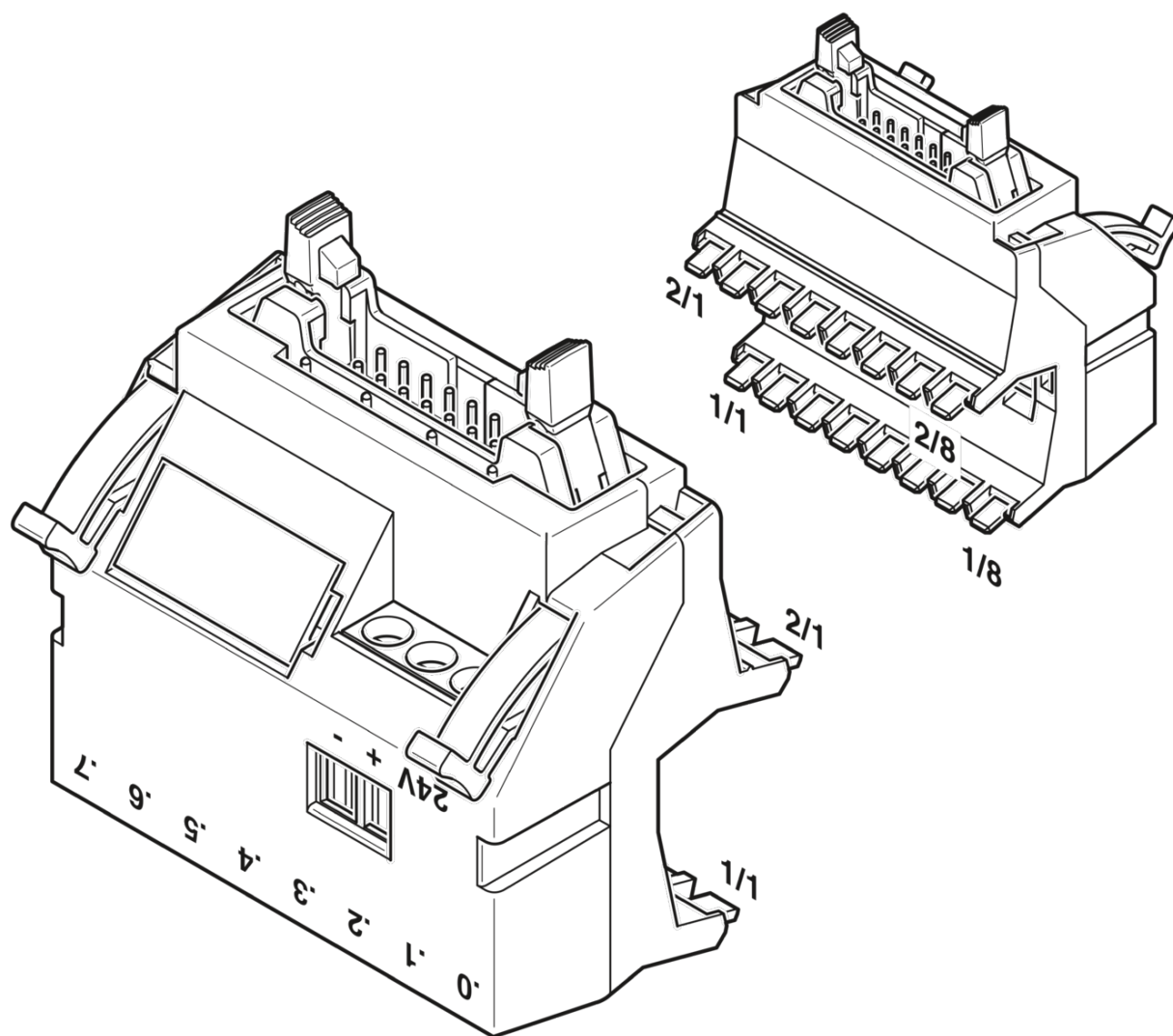


# System connection - PLC-V8/FLK14/OUT

2295554

<https://www.phoenixcontact.com/ro/produse/2295554>


Schematic diagram




2295554

<https://www.phoenixcontact.com/ro/produse/2295554>

## Aprobări

cUL Recognized 	Tensiune nominală $U_N$	Curent nominal $I_N$	Secțiune transversală AWG	Secțiune transversală $mm^2$
	24 V	1 A	-	-

UL Recognized 	Tensiune nominală $U_N$	Curent nominal $I_N$	Secțiune transversală AWG	Secțiune transversală $mm^2$
	24 V	1 A	-	-

DNV GL 

PRS 

UL Listed 

cUL Listed 

cUL Listed 

UL Listed 

# System connection - PLC-V8/FLK14/OUT



2295554

<https://www.phoenixcontact.com/ro/produse/2295554>

## Clasificări

### ECLASS

ECLASS-9.0	27141152
ECLASS-10.0.1	27141152
ECLASS-11.0	27141152

### ETIM

ETIM 6.0	EC002780
----------	----------

### UNSPSC

UNSPSC 19.0	39121432
UNSPSC 20.0	39121432
UNSPSC 21.0	39121432

# System connection - PLC-V8/FLK14/OUT



2295554

<https://www.phoenixcontact.com/ro/produce/2295554>

## Environmental Product Compliance

REACH SVHC	Lead 7439-92-1
China RoHS	Environmentally Friendly Use Period = 50 years
	For details about hazardous substances go to tab "Downloads", Category "Manufacturer's declaration"

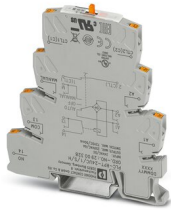
2295554

<https://www.phoenixcontact.com/ro/produse/2295554>

## Accesorii necesar

### Switch

Switch - PLC-RPT- 24UC/ 1/S/H - 2900328

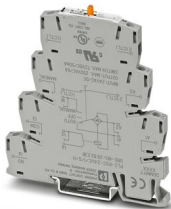


PLC-INTERFACE with switch (operation by hand) and integrated power contact relay for the "Manual, Zero and Automatic" functions, with push-in connection, for mounting on DIN rail NS 35/7.5, one N/O contact, input voltage 24 V AC/DC

---

### Switch

Switch - PLC-RSC- 24UC/ 1/S/H - 2982236



PLC-INTERFACE with switch (operation by hand) for the "Manual, Zero, and Automatic" functions, with screw connection and integrated power contact relay, for mounting on DIN rail NS 35/7,5, 1 N/O contact, input voltage 24 V AC/DC

# System connection - PLC-V8/FLK14/OUT

2295554

<https://www.phoenixcontact.com/ro/produse/2295554>

## Feed-through terminal block

Feed-through terminal block - PLC-VT - 2296870



VARIOFACE feed-through terminal block (2-conductor screw connection), for PLC-INTERFACE universal series

---

## Feed-through terminal block

Feed-through terminal block - PLC-VT/LA - 2296854



VARIOFACE feed-through terminal block (2-conductor screw connection), for PLC-INTERFACE universal series, with 24 V DC LED display

# System connection - PLC-V8/FLK14/OUT

2295554

<https://www.phoenixcontact.com/ro/produce/2295554>

## Feed-through terminal block

Feed-through terminal block - PLC-VT/ACT - 2295567



VARIOFACE feed-through terminal block (3-conductor screw connection), for PLC-INTERFACE actuator series

---

## Feed-through terminal block

Feed-through terminal block - PLC-VT/ACT/LA - 2296867



VARIOFACE feed-through terminal block (3-conductor screw connection), for PLC-INTERFACE actuator series, with 24 V DC LED display

2295554

<https://www.phoenixcontact.com/ro/produse/2295554>

## Solid-state relay module

Solid-state relay module - PLC-OPT- 24DC/ 24DC/2 - 2900364



PLC-INTERFACE, consisting of PLC-BPT.../21 basic terminal block with push-in connection and plug-in miniature solid-state relay, for mounting on DIN rail NS 35/7,5, 1 N/O contact, input: 24 V DC, output: 3 - 33 V DC/3 A

---

## Solid-state relay module

Solid-state relay module - PLC-OSC- 24DC/ 24DC/ 2 - 2966634



PLC-INTERFACE, consisting of PLC-BSC.../21 basic terminal block with screw connection and plug-in miniature solid-state relay, for mounting on DIN rail NS 35/7,5, 1 N/O contact, input: 24 V DC, output: 3 - 33 V DC/3 A



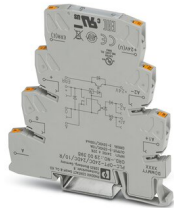
# System connection - PLC-V8/FLK14/OUT

2295554

<https://www.phoenixcontact.com/ro/produse/2295554>

## Solid-state relay module

Solid-state relay module - PLC-OPT- 24DC/ 24DC/10/R - 2900398

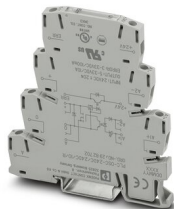


PLC-INTERFACE with confirmation contact, consisting of basic terminal block with push-in connection and integrated miniature solid-state relay, for mounting on DIN rail NS 35/7,5, 1 N/O contact, input: 24 V DC, output: 3 - 33 V DC/10 A

---

## Solid-state relay module

Solid-state relay module - PLC-OSC- 24DC/ 24DC/ 10/R - 2982702



PLC-INTERFACE with checkback contact, consisting of basic terminal block with screw connection and integrated miniature solid-state relay, for mounting on DIN rail NS 35/7,5, 1 N/O contact, input: 24 V DC, output: 3 ... 33 V DC/10 A

# System connection - PLC-V8/FLK14/OUT

2295554

<https://www.phoenixcontact.com/ro/produse/2295554>

## Solid-state relay module

Solid-state relay module - PLC-OPT- 24DC/230AC/1 - 2900369



PLC-INTERFACE, consisting of PLC-BPT.../21 basic terminal block with push-in connection and plug-in miniature solid-state relay, for mounting on DIN rail NS 35/7,5, 1 N/O contact, input: 24 V DC, output: 24 - 253 V AC/0.75 A

---

## Solid-state relay module

Solid-state relay module - PLC-OSC- 24DC/230AC/ 1 - 2967840



PLC-INTERFACE, consisting of PLC-BSC.../21 basic terminal block with screw connection and plug-in miniature solid-state relay, for mounting on DIN rail NS 35/7,5, 1 N/O contact, input: 24 V DC, output: 24 - 253 V AC/0.75 A

2295554

<https://www.phoenixcontact.com/ro/produse/2295554>

## Solid-state relay module

Solid-state relay module - PLC-OPT- 24DC/300DC/1 - 2900383



PLC-INTERFACE, integrated solid-state relay, with push-in connection, for mounting on NS 35/7,5 DIN rails, input: 24 V DC, output: 12 - 300 V DC/1 A

---

## Solid-state relay module

Solid-state relay module - PLC-OSC- 24DC/300DC/ 1 - 2980678



PLC-INTERFACE, integrated solid-state relay, with screw connection, for mounting on NS 35/7,5 DIN rails, input: 24 V DC, output: 12 - 300 V DC/1 A

2295554

<https://www.phoenixcontact.com/ro/produse/2295554>

## Solid-state relay module

Solid-state relay module - PLC-OPT- 24DC/ 48DC/100 - 2900352



PLC-INTERFACE, consisting of PLC-BPT.../21 basic terminal block with push-in connection and plug-in miniature solid-state relay, for mounting on DIN rail NS 35/7,5, 1 N/O contact, input: 24 V DC, output: 3 - 48 V DC/100 mA

---

## Solid-state relay module

Solid-state relay module - PLC-OSC- 24DC/ 48DC/100 - 2966728



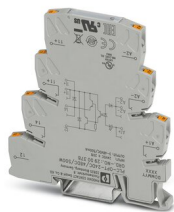
PLC-INTERFACE, consisting of PLC-BSC.../21 basic terminal block with screw connection and plug-in miniature solid-state relay, for mounting on DIN rail NS 35/7,5, 1 N/O contact, input: 24 V DC, output: 3 - 48 V DC/100 mA

2295554

<https://www.phoenixcontact.com/ro/produse/2295554>

## Solid-state relay module

Solid-state relay module - PLC-OPT- 24DC/ 48DC/500/W - 2900378

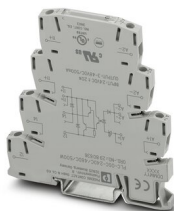


PLC-INTERFACE with electronic changeover contact, consisting of PLC-BPT.../21 basic terminal block with Push-in connection and integrated miniature solid-state relay, for mounting on DIN rail NS 35/7,5, 1 changeover contact, input: 24 V DC, output: 3-48 V DC/500 mA

---

## Solid-state relay module

Solid-state relay module - PLC-OSC- 24DC/ 48DC/500/W - 2980636



PLC electronic changeover contact with screw connection, for mounting on DIN rail NS 35/7,5, input: 24 V DC, output: 3-48 V DC/500 mA

2295554

<https://www.phoenixcontact.com/ro/produse/2295554>

## Solid-state relay module

Solid-state relay module - PLC-OPT- 24DC/ 24DC/2/ACT - 2900376



PLC-INTERFACE for output functions, consisting of PLC-BPT.../ACT basic terminal block with push-in connection and plug-in miniature solid-state relay, for mounting on DIN rail NS 35/7,5, 1 N/O contact, input: 24 V DC, output: 3 - 33 V DC/3 A

---

## Solid-state relay module

Solid-state relay module - PLC-OSC- 24DC/ 24DC/ 2/ACT - 2966676



PLC-INTERFACE for output functions, consisting of PLC-BSC.../ACT basic terminal block with screw connection and plug-in miniature solid-state relay, for mounting on DIN rail NS 35/7,5, 1 N/O contact, input: 24 V DC, output: 3 - 33 V DC/3 A

2295554

<https://www.phoenixcontact.com/ro/produse/2295554>

## Solid-state relay module

Solid-state relay module - PLC-OSC- 24DC/230AC/ 1/ACT - 2967947



PLC-INTERFACE for output functions, consisting of PLC-BSC.../ACT basic terminal block with screw connection and plug-in miniature solid-state relay, for mounting on DIN rail NS 35/7,5, 1 N/O contact, input: 24 V DC, output: 24 ... 253 V AC/0.75 A

---

## Relay Module

Relay Module - PLC-RPT- 24DC/21 - 2900299



PLC-INTERFACE, consisting of PLC-BPT.../21 basic terminal block with Push-in connection and plug-in miniature relay with power contact, for mounting on NS 35/7,5 DIN rail, 1 changeover contact, input voltage 24 V DC

2295554

<https://www.phoenixcontact.com/ro/produse/2295554>

## Relay Module

Relay Module - PLC-RSC- 24DC/21 - 2966171



PLC-INTERFACE, consisting of basic terminal block PLC-BSC.../21 with screw connection and plug-in miniature relay with power contact, for assembly on DIN rail NS 35/7,5, 1 changeover contact, input voltage 24 V DC

---

## Relay Module

Relay Module - PLC-RPT- 24DC/21AU - 2900306



PLC-INTERFACE, consisting of PLC-BPT.../21 basic terminal block with Push-in connection and plug-in miniature relay with multi-layer gold contact, for mounting on DIN rail NS 35/7,5, 1 changeover contact, input voltage 24 V DC



2295554

<https://www.phoenixcontact.com/ro/produce/2295554>

## Relay Module

Relay Module - PLC-RSC- 24DC/21AU - 2966265



PLC-INTERFACE, consisting of PLC-BSC.../21 basic terminal block with screw connection and plug-in miniature relay with multi-layer gold contact, for mounting on DIN rail NS 35/7,5, 1 changeover contact, input voltage 24 V DC

---

## Relay Module

Relay Module - PLC-RPT- 24UC/21AU - 2900307



PLC-INTERFACE, consisting of PLC-BPT.../21 basic terminal block with Push-in connection and plug-in miniature relay with multi-layer gold contact, for mounting on DIN rail NS 35/7,5, 1 changeover contact, input voltage 24 V AC/DC

2295554

<https://www.phoenixcontact.com/ro/produce/2295554>

## Relay Module

Relay Module - PLC-RSC- 24UC/21AU - 2966278



PLC-INTERFACE, consisting of PLC-BSC.../21 basic terminal block with screw connection and plug-in miniature relay with multi-layer gold contact, for mounting on DIN rail NS 35/7,5, 1 changeover contact, input voltage 24 V AC/DC

---

## Relay Module

Relay Module - PLC-RPT- 24DC/ 1/ACT - 2900312



PLC-INTERFACE for output functions, consisting of PLC-BPT.../ACT basic terminal block with push-in connection and plug-in miniature relay with power contact, for mounting on DIN rail NS 35/7,5, 1 N/O contact, input voltage 24 V DC

# System connection - PLC-V8/FLK14/OUT

2295554

<https://www.phoenixcontact.com/ro/produse/2295554>

## Relay Module

Relay Module - PLC-RSC- 24DC/ 1/ACT - 2966210



PLC-INTERFACE for output functions, consisting of PLC-BSC.../ACT basic terminal block with screw connection and plug-in miniature relay with power contact, for mounting on DIN rail NS 35/7,5, 1 N/O contact, input voltage 24 V DC

---

## Accesoriu

### Cable

Cable - FLK 14/EZ-DR/ 30/KONFEK - 2295729



Round cable set; connection 1: IDC/FLK socket strip (1x 14-position); connection 2: IDC/FLK socket strip (1x 14-position); cable length: 0.3 m

# System connection - PLC-V8/FLK14/OUT

2295554

<https://www.phoenixcontact.com/ro/produse/2295554>

## Cable

Cable - FLK 14/EZ-DR/ 50/KONFEK - 2288901



Round cable set; connection 1: IDC/FLK socket strip (1x 14-position); connection 2: IDC/FLK socket strip (1x 14-position); cable length: 0.5 m

---

## Cable

Cable - FLK 14/EZ-DR/ 100/KONFEK - 2288914



Round cable set; connection 1: IDC/FLK socket strip (1x 14-position); connection 2: IDC/FLK socket strip (1x 14-position); cable length: 1 m

# System connection - PLC-V8/FLK14/OUT

2295554

<https://www.phoenixcontact.com/ro/produse/2295554>

## Cable

Cable - FLK 14/EZ-DR/ 150/KONFEK - 2288927



Round cable set; connection 1: IDC/FLK socket strip (1x 14-position); connection 2: IDC/FLK socket strip (1x 14-position); cable length: 1.5 m

---

## Cable

Cable - FLK 14/EZ-DR/ 200/KONFEK - 2288930



Round cable set; connection 1: IDC/FLK socket strip (1x 14-position); connection 2: IDC/FLK socket strip (1x 14-position); cable length: 2 m

# System connection - PLC-V8/FLK14/OUT

2295554

<https://www.phoenixcontact.com/ro/produse/2295554>

## Cable

Cable - FLK 14/EZ-DR/ 250/KONFEK - 2288943



Round cable set; connection 1: IDC/FLK socket strip (1x 14-position); connection 2: IDC/FLK socket strip (1x 14-position); cable length: 2.5 m

---

## Cable

Cable - FLK 14/EZ-DR/ 300/KONFEK - 2288956



Round cable set; connection 1: IDC/FLK socket strip (1x 14-position); connection 2: IDC/FLK socket strip (1x 14-position); cable length: 3 m

# System connection - PLC-V8/FLK14/OUT

2295554

<https://www.phoenixcontact.com/ro/produse/2295554>

## Cable

Cable - FLK 14/EZ-DR/ 350/KONFEK - 2288969



Round cable set; connection 1: IDC/FLK socket strip (1x 14-position); connection 2: IDC/FLK socket strip (1x 14-position); cable length: 3.5 m

---

## Cable

Cable - FLK 14/EZ-DR/ 400/KONFEK - 2288972



Round cable set; connection 1: IDC/FLK socket strip (1x 14-position); connection 2: IDC/FLK socket strip (1x 14-position); cable length: 4 m

# System connection - PLC-V8/FLK14/OUT

2295554

<https://www.phoenixcontact.com/ro/produse/2295554>

## Cable

Cable - FLK 14/EZ-DR/ 450/KONFEK - 2290847



Round cable set; connection 1: IDC/FLK socket strip (1x 14-position); connection 2: IDC/FLK socket strip (1x 14-position); cable length: 4.5 m

---

## Cable

Cable - FLK 14/EZ-DR/ 500/KONFEK - 2290834



Round cable set; connection 1: IDC/FLK socket strip (1x 14-position); connection 2: IDC/FLK socket strip (1x 14-position); cable length: 5 m



# System connection - PLC-V8/FLK14/OUT

2295554

<https://www.phoenixcontact.com/ro/produce/2295554>

## Cable

Cable - FLK 14/EZ-DR/ 550/KONFEK - 2290850



Round cable set; connection 1: IDC/FLK socket strip (1x 14-position); connection 2: IDC/FLK socket strip (1x 14-position); cable length: 5.5 m

---

## Cable

Cable - FLK 14/EZ-DR/ 600/KONFEK - 2290863



Round cable set; connection 1: IDC/FLK socket strip (1x 14-position); connection 2: IDC/FLK socket strip (1x 14-position); cable length: 6 m

# System connection - PLC-V8/FLK14/OUT

2295554

<https://www.phoenixcontact.com/ro/produse/2295554>

## Cable

Cable - FLK 14/EZ-DR/ 800/KONFEK - 2299563



Round cable set; connection 1: IDC/FLK socket strip (1x 14-position); connection 2: IDC/FLK socket strip (1x 14-position); cable length: 8 m

---

## Cable

Cable - FLK 14/EZ-DR/1000/KONFEK - 2299576



Round cable set; connection 1: IDC/FLK socket strip (1x 14-position); connection 2: IDC/FLK socket strip (1x 14-position); cable length: 10 m

# System connection - PLC-V8/FLK14/OUT

2295554

<https://www.phoenixcontact.com/ro/produse/2295554>

## Cable

Cable - FLK 14/EZ-DR/HF/ 50/KONFEK - 2305952



Assembled, halogen-free round cable; connection 1: IDC/FLK socket strip (1x 14-position); connection 2: IDC/FLK socket strip (1x 14-position); cable length: 0.5 m

---

## Cable

Cable - FLK 14/EZ-DR/HF/ 100/KONFEK - 2305965



Assembled, halogen-free round cable; connection 1: IDC/FLK socket strip (1x 14-position); connection 2: IDC/FLK socket strip (1x 14-position); cable length: 1 m

# System connection - PLC-V8/FLK14/OUT

2295554

<https://www.phoenixcontact.com/ro/produse/2295554>

## Cable

Cable - FLK 14/EZ-DR/HF/ 150/KONFEK - 2305978



Assembled, halogen-free round cable; connection 1: IDC/FLK socket strip (1x 14-position); connection 2: IDC/FLK socket strip (1x 14-position); cable length: 1.5 m

---

## Cable

Cable - FLK 14/EZ-DR/HF/ 200/KONFEK - 2305981



Assembled, halogen-free round cable; connection 1: IDC/FLK socket strip (1x 14-position); connection 2: IDC/FLK socket strip (1x 14-position); cable length: 2 m

# System connection - PLC-V8/FLK14/OUT

2295554

<https://www.phoenixcontact.com/ro/produse/2295554>

## Cable

Cable - FLK 14/EZ-DR/HF/ 250/KONFEK - 2305994



Assembled, halogen-free round cable; connection 1: IDC/FLK socket strip (1x 14-position); connection 2: IDC/FLK socket strip (1x 14-position); cable length: 2.5 m

---

## Cable

Cable - FLK 14/EZ-DR/HF/ 300/KONFEK - 2304759



Assembled, halogen-free round cable; connection 1: IDC/FLK socket strip (1x 14-position); connection 2: IDC/FLK socket strip (1x 14-position); cable length: 3 m

# System connection - PLC-V8/FLK14/OUT

2295554

<https://www.phoenixcontact.com/ro/produse/2295554>

## Cable

Cable - FLK 14/EZ-DR/HF/ 400/KONFEK - 2304762



Assembled, halogen-free round cable; connection 1: IDC/FLK socket strip (1x 14-position); connection 2: IDC/FLK socket strip (1x 14-position); cable length: 4 m

---

## Cable

Cable - FLK 14/EZ-DR/HF/ 500/KONFEK - 2304717



Assembled, halogen-free round cable; connection 1: IDC/FLK socket strip (1x 14-position); connection 2: IDC/FLK socket strip (1x 14-position); cable length: 5 m

# System connection - PLC-V8/FLK14/OUT

2295554

<https://www.phoenixcontact.com/ro/produse/2295554>

## Cable

Cable - FLK 14/EZ-DR/HF/ 600/KONFEK - 2306003



Assembled, halogen-free round cable; connection 1: IDC/FLK socket strip (1x 14-position); connection 2: IDC/FLK socket strip (1x 14-position); cable length: 6 m

---

## Cable

Cable - FLK 14-EZ-DR-HF/... - 2314040



Assembled, halogen-free round cable; connection 1: IDC/FLK socket strip (1x 14-position); connection 2: IDC/FLK socket strip (1x 14-position); cable length: variable

# System connection - PLC-V8/FLK14/OUT

2295554

<https://www.phoenixcontact.com/ro/produse/2295554>

## Cable

Cable - FLK 14/EZ-DR/ 50/KONFEK/S - 2296977



Assembled shielded round cable; connection 1: IDC/FLK socket strip (1x 14-position); connection 2: IDC/FLK socket strip (1x 14-position) (The braided shield is routed to a separate cable end.); cable length: 0.5 m

---

## Cable

Cable - FLK 14/EZ-DR/ 60/KONFEK/S - 2299068



Assembled shielded round cable; connection 1: IDC/FLK socket strip (1x 14-position); connection 2: IDC/FLK socket strip (1x 14-position) (The braided shield is routed to a separate cable end.); cable length: 0.6 m



# System connection - PLC-V8/FLK14/OUT

2295554

<https://www.phoenixcontact.com/ro/produse/2295554>

## Cable

Cable - FLK 14/EZ-DR/ 100/KONFEK/S - 2296980



Assembled shielded round cable; connection 1: IDC/FLK socket strip (1x 14-position); connection 2: IDC/FLK socket strip (1x 14-position) (The braided shield is routed to a separate cable end.); cable length: 1 m

---

## Cable

Cable - FLK 14/EZ-DR/ 120/KONFEK/S - 2299071



Assembled shielded round cable; connection 1: IDC/FLK socket strip (1x 14-position); connection 2: IDC/FLK socket strip (1x 14-position) (The braided shield is routed to a separate cable end.); cable length: 1.2 m

# System connection - PLC-V8/FLK14/OUT

2295554

<https://www.phoenixcontact.com/ro/produse/2295554>

## Cable

Cable - FLK 14/EZ-DR/ 150/KONFEK/S - 2296993



Assembled shielded round cable; connection 1: IDC/FLK socket strip (1x 14-position); connection 2: IDC/FLK socket strip (1x 14-position) (The braided shield is routed to a separate cable end.); cable length: 1.5 m

---

## Cable

Cable - FLK 14/EZ-DR/ 180/KONFEK/S - 2299084



Assembled shielded round cable; connection 1: IDC/FLK socket strip (1x 14-position); connection 2: IDC/FLK socket strip (1x 14-position) (The braided shield is routed to a separate cable end.); cable length: 1.8 m

# System connection - PLC-V8/FLK14/OUT

2295554

<https://www.phoenixcontact.com/ro/produse/2295554>

## Cable

Cable - FLK 14/EZ-DR/ 200/KONFEK/S - 2297002



Assembled shielded round cable; connection 1: IDC/FLK socket strip (1x 14-position); connection 2: IDC/FLK socket strip (1x 14-position) (The braided shield is routed to a separate cable end.); cable length: 2 m

---

## Cable

Cable - FLK 14/EZ-DR/ 300/KONFEK/S - 2299013



Assembled shielded round cable; connection 1: IDC/FLK socket strip (1x 14-position); connection 2: IDC/FLK socket strip (1x 14-position) (The braided shield is routed to a separate cable end.); cable length: 3 m

# System connection - PLC-V8/FLK14/OUT

2295554

<https://www.phoenixcontact.com/ro/produse/2295554>

## Cable

Cable - FLK 14/EZ-DR/ 400/KONFEK/S - 2299026



Assembled shielded round cable; connection 1: IDC/FLK socket strip (1x 14-position); connection 2: IDC/FLK socket strip (1x 14-position) (The braided shield is routed to a separate cable end.); cable length: 4 m

---

## Cable

Cable - FLK 14/EZ-DR/ 600/KONFEK/S - 2299039



Assembled shielded round cable; connection 1: IDC/FLK socket strip (1x 14-position); connection 2: IDC/FLK socket strip (1x 14-position) (The braided shield is routed to a separate cable end.); cable length: 6 m

# System connection - PLC-V8/FLK14/OUT

2295554

<https://www.phoenixcontact.com/ro/produse/2295554>

## Cable

Cable - FLK 14/EZ-DR/ 800/KONFEK/S - 2299042



Assembled shielded round cable; connection 1: IDC/FLK socket strip (1x 14-position); connection 2: IDC/FLK socket strip (1x 14-position) (The braided shield is routed to a separate cable end.); cable length: 8 m

---

## Cable

Cable - FLK 14/EZ-DR/1000/KONFEK/S - 2299055



Assembled shielded round cable; connection 1: IDC/FLK socket strip (1x 14-position); connection 2: IDC/FLK socket strip (1x 14-position) (The braided shield is routed to a separate cable end.); cable length: 10 m

# System connection - PLC-V8/FLK14/OUT

2295554

<https://www.phoenixcontact.com/ro/produse/2295554>

## Cable

Cable - FLK 50/4X14/EZ-DR/ 50/KONFEK - 2296689



Round cable set; connection 1: IDC/FLK socket strip (1x 50-position); connection 2: IDC/FLK socket strip (4x 14-position); cable length: 0.5 m

---

## Cable

Cable - FLK 50/4X14/EZ-DR/ 100/KONFEK - 2296692



Round cable set; connection 1: IDC/FLK socket strip (1x 50-position); connection 2: IDC/FLK socket strip (4x 14-position); cable length: 1 m

# System connection - PLC-V8/FLK14/OUT

2295554

<https://www.phoenixcontact.com/ro/produse/2295554>

## Cable

Cable - FLK 50/4X14/EZ-DR/ 150/KONFEK - 2296702



Round cable set; connection 1: IDC/FLK socket strip (1x 50-position); connection 2: IDC/FLK socket strip (4x 14-position); cable length: 1.5 m

---

## Cable

Cable - FLK 50/4X14/EZ-DR/ 200/KONFEK - 2296715



Round cable set; connection 1: IDC/FLK socket strip (1x 50-position); connection 2: IDC/FLK socket strip (4x 14-position); cable length: 2 m

# System connection - PLC-V8/FLK14/OUT

2295554

<https://www.phoenixcontact.com/ro/produse/2295554>

## Cable

Cable - FLK 50/4X14/EZ-DR/ 250/KONFEK - 2305402



Round cable set; connection 1: IDC/FLK socket strip (1x 50-position); connection 2: IDC/FLK socket strip (4x 14-position); cable length: 2.5 m

---

## Cable

Cable - FLK 50/4X14/EZ-DR/ 300/KONFEK - 2296728



Round cable set; connection 1: IDC/FLK socket strip (1x 50-position); connection 2: IDC/FLK socket strip (4x 14-position); cable length: 3 m



# System connection - PLC-V8/FLK14/OUT

2295554

<https://www.phoenixcontact.com/ro/produse/2295554>

## Cable

Cable - FLK 50/4X14/EZ-DR/ 400/KONFEK - 2296731



Round cable set; connection 1: IDC/FLK socket strip (1x 50-position); connection 2: IDC/FLK socket strip (4x 14-position); cable length: 4 m

---

## Cable

Cable - FLK 50/4X14/EZ-DR/ 600/KONFEK - 2296744



Round cable set; connection 1: IDC/FLK socket strip (1x 50-position); connection 2: IDC/FLK socket strip (4x 14-position); cable length: 6 m

# System connection - PLC-V8/FLK14/OUT

2295554

<https://www.phoenixcontact.com/ro/produse/2295554>

## Cable

Cable - FLK 50/4X14/EZ-DR/1000/KONFEK - 2296773



Round cable set; connection 1: IDC/FLK socket strip (1x 50-position); connection 2: IDC/FLK socket strip (4x 14-position); cable length: 10 m

---

## Cable

Cable - FLK 50-4X14-EZ-DR ... - 2302405



Round cable set; connection 1: IDC/FLK socket strip (1x 50-position); connection 2: IDC/FLK socket strip (4x 14-position); cable length: variable

# System connection - PLC-V8/FLK14/OUT



2295554

<https://www.phoenixcontact.com/ro/produse/2295554>

## Cable

Cable - FLK 50-4X14-EZ-DR-S ... - 2302447



Assembled shielded round cable; connection 1: IDC/FLK socket strip (1x 50-position); connection 2: IDC/FLK socket strip (4x 14-position) (The braided shield is routed to four separate cable ends.); cable length: variable

---

Phoenix Contact 2021 © - Toate drepturile rezervate  
<https://www.phoenixcontact.com>

PHOENIX CONTACT România  
Splaiul Unirii 165 Timpuri Noi Square TNO1, Etaj 1  
Bucuresti 030133  
+40 21 350 88 12 - 3  
[sales.ro@phoenixcontact.com](mailto:sales.ro@phoenixcontact.com)